

TIC for RDS-TMC and TPEG Broadcast Services

Reach more navigation devices with more data services worldwide.

Worldwide navigation market

TIC is an industry accepted and recognized data broadcast solution used for over 10 years to reach navigation devices worldwide.

TIC is used for production systems, product development, testing, and research by:

- Broadcast service providers.
- Navigation device manufacturers.
- Car manufacturers.

TIC can integrate data such as traffic flows (see "TIC for Traffic Flows and Prediction" leaflet) and resulting data is available for all data services.

Traffic messages over RDS-TMC

TIC can be used to broadcast Traffic Message Channel (TMC) messages over FM using the Radio Data Channel (RDS) with conditional access (CA).

TIC can regionalize data by dynamically generating message cycles for individual regions and can give priority to urgent messages.

Transmitter sites can be connected using the standard protocol UECP over IP and serial.

Quick to deploy and operate

TIC is a highly configurable commercial off-the-shelf (COTS) solution which can be quickly deployed and operated with less risk.

TIC is available in several languages worldwide, can be installed locally or provided remotely as a hosted service over internet connections.

TIC can be provided with all licensed TISA certified TMC location tables installed.

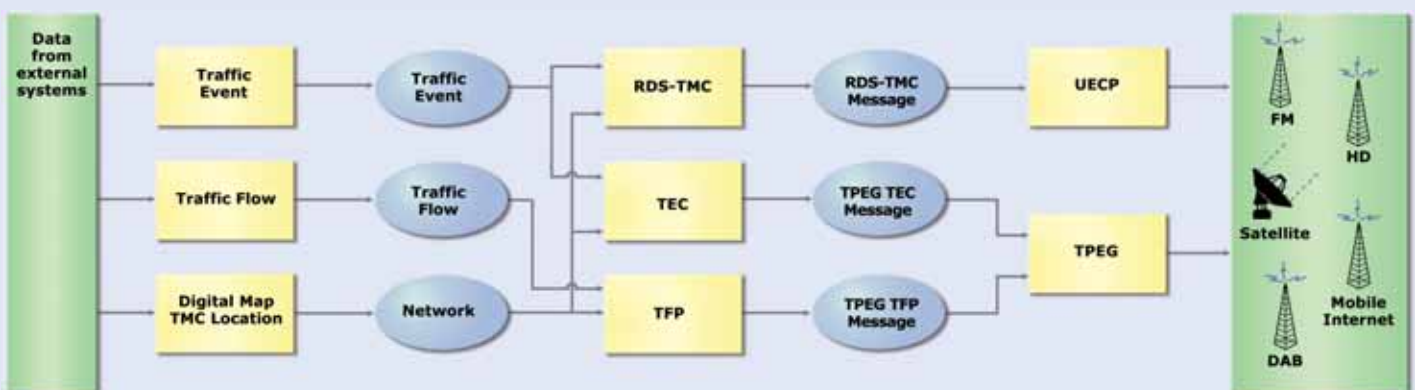
Standards development

GEWI is an active member in the TISA forum (formally TMC/TPEG forums), TMC Location Table Working Group, and Event List Working Group.

High service levels

TIC can be used with a feedback system to continuously monitor data broadcast quality by comparing data sent with off-air data received.

System alerts can be immediately sent to operators, administrators, and managers to ensure high service levels are maintained.



Travel data over TPEG

TIC can be used to broadcast TPEG formatted travel data over digital media such as DAB, HD, satellite radio, and mobile telecoms (GPRS, UTMS).

TIC supports TPEG several applications such as Traffic Flow and Prediction (TFP) and Traffic Event Compact (TEC), and more can be added.

Travel data can be location referenced to world standard TMC locations or using AROGA-C. Encryption can be provided such as HECA.

Flexible market pricing

Several pricing models can be used to adapt the licensing of TIC as software, system, or data service to match market conditions.

More information

TIC is used to process data in over 100 projects operating worldwide. A brochure is available describing the wider capabilities of TIC and more leaflets for various uses. See www.gewi.com.